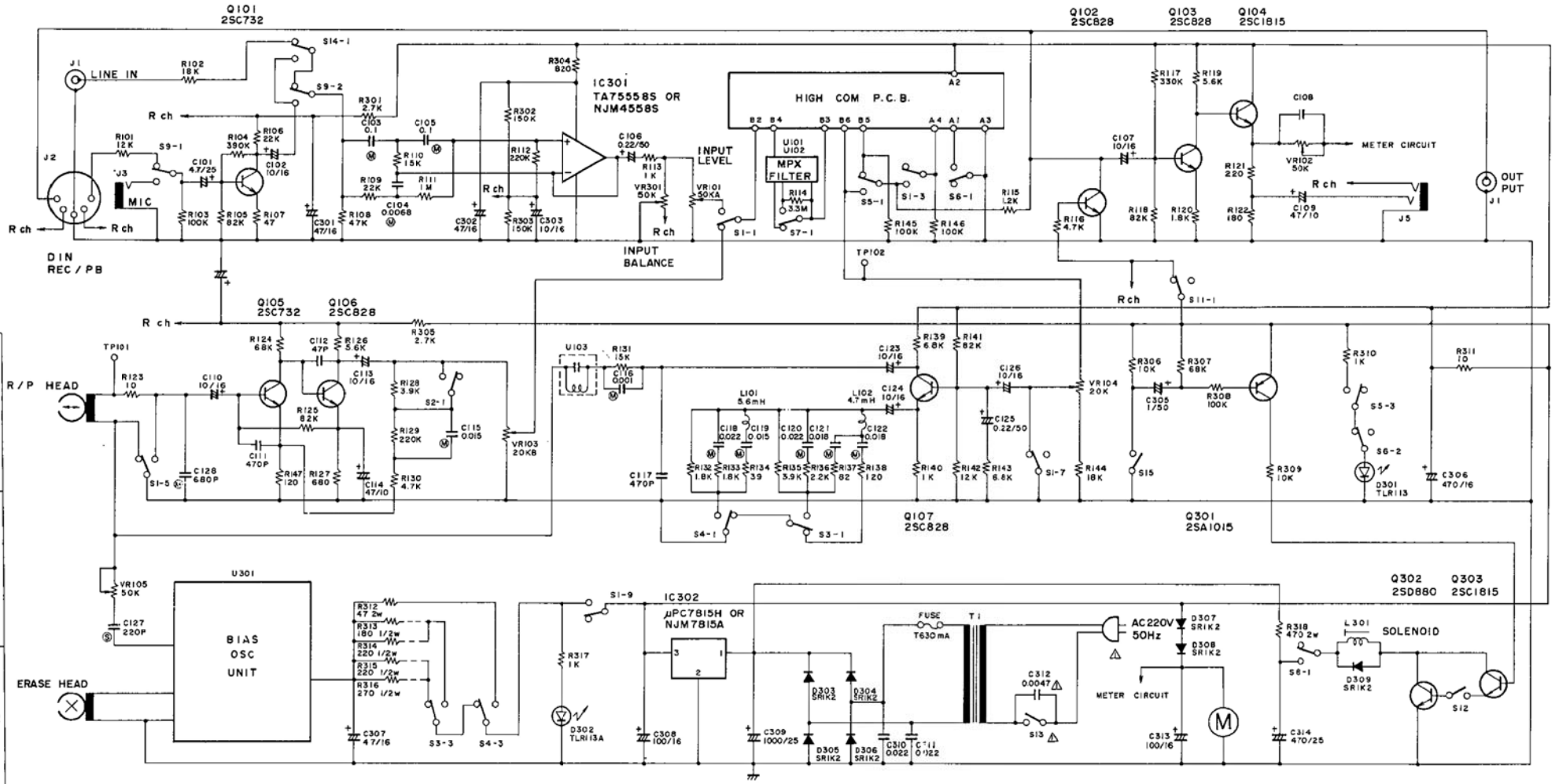
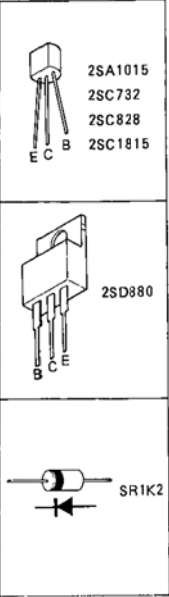


# SCHEMATIC DIAGRAM



## SEMICONDUCTORS



### SWITCH

S1-1-9	RECORD-PLAYBACK SW	(PLAY POSITION)
S2-1-2	NORMAL TAPE SW	(NORMAL POSITION)
S3-1-4	CR	
S4-1-4	METAL	
S5-1-4	NR SW	(ON POSITION)
S6-1-2	HIGH COM SW	(HIGH COM POSITION)
S7-1-2	MPX SW	(OFF POSITION)
S8-1-2	MEMORY SW	(OFF POSITION)
S9-1-2	L ch MIC SW	(OFF POSITION)
S10-1-2	R ch	
S11-1-2	MUTING SW	(OFF POSITION)
S12	REW SW	(OFF POSITION)
S13	POWER SW	(OFF POSITION)
S14-1-2	D IN SW	(OFF POSITION)
S15	COUNTER SW	(OFF POSITION)

- ### NOTES:
- SCHEMATIC IS SUBJECT TO CHANGE WITHOUT NOTICE.
  - RESISTANCE VALUES ARE IN OHMS. UNLESS OTHERWISE SPECIFIED:  
K = 1,000; M = 1,000,000
  - CAPACITANCE VALUES 1.0 AND ABOVE ARE IN pF OR μF (P = pF, M = μF), LESS THAN 1.0 ARE IN μF. (ELECTROLYTIC CAPACITANCE VALUES ARE IN μF/WV.)

- ### SCHEMATIC SYMBOLS:
- Ⓜ POLYESTER FILM CAPACITOR
  - Ⓢ POLYSTYRENE FILM CAPACITOR

### WARNING:

⚠ INDICATES SAFETY CRITICAL COMPONENTS. FOR CONTINUED SAFETY, REPLACE SAFETY CRITICAL COMPONENTS ONLY WITH MANUFACTURER'S RECOMMENDED PARTS.